

Pressure regulator with a **precise regulation for highest demands**. It is suitable for all processes that require a precise regulation of compressed air. Pressure regulators as "diaphragm type" do regulate changing line pressure in the air system (inlet pressure p_1) independent of pressure fluctuations and air consumption. It is mostly constant at a working pressure set (secondary pressure p_2). This guarantees optimal and economical operation of the system. This type has an exceptional little **air consumption of 1,5l/min**. The built-in excess pressure valve (secondary venting) allows a reduction of the secondary pressure (= exhaust) without air extraction. At the same time compressed air escapes into the atmosphere, as soon as the pressure on the secondary side exceeds the set value. To avoid contamination or loss, there should be a *micro-filter* pre-connected.

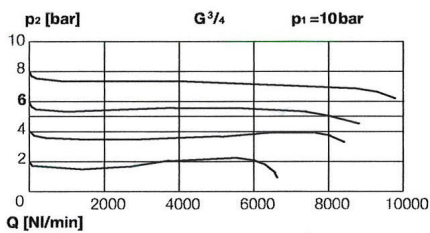
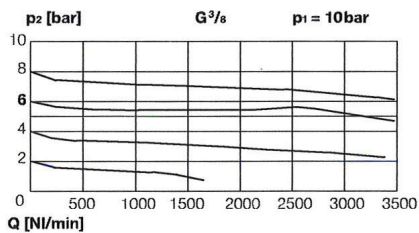
Technical data

	Size I		Size II		
Connection threads	G 1/4	G 3/8	G 1/2	G 3/4	G 1**
Nominal rates of flow (NI/min)*	2000	3200	7000	8000	8000
Max. operating pressure (p₁)	25 bar				
Max. secondary pressure (p₂)	10 bar (opt. 3, 6 bar)				
Max. operating temperature	max. 80 °C				
Flow direction of flow	see arrow				
Dependence upon pre-pressure	< 3 %				
Reversing control hysteresis	< 0,1 bar				
Air consumption (measured at 10 bar pre-pressure (p ₁))	< 1,5 l/min				
Material	- housing zinc alloy - seals NBR				
Weight (without gauge)	390g		950g	950g	1410g

* Measured at 10 bar pre-pressure (p₁), 6 bar secondary pressure (p₂) and Δp = 1 bar acc. to DIN ISO 6953

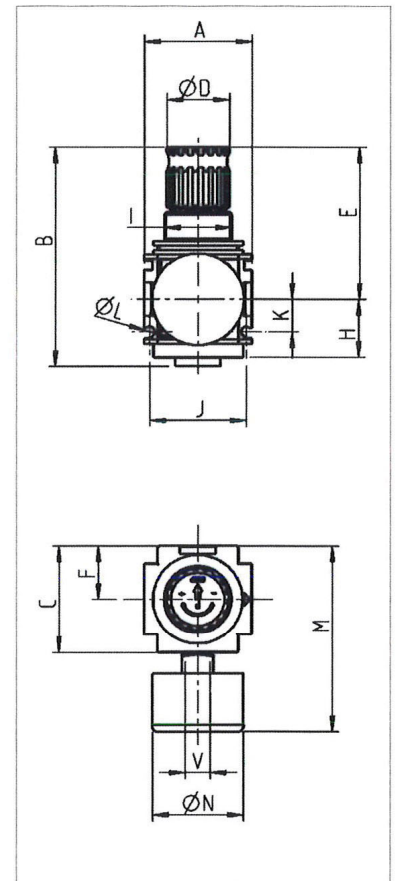
** Inlet and outlet only with mounting plates set G 1

Rates of flow



Dimensions [mm]

Size	I	II	
Connection thread	G 1/4, G 3/8	G 1/2, G 3/4	G 1**
A	48	70	125
B	98	134	134
C	48	70	70
D (ø)	28	39	39
E	68	98	98
F	24	35	35
H	26	33	33
I	M30x1,5	M42x1,5	M42x1,5
J	43	62	62
K	14,5	18	18
L (ø)	4,4	5,4	5,4
M	84	106	106
N (ø)	40	50	50
V	G 1/4	G 1/4	G 1/4



Precision pressure regulator, incl. pressure gauge

Article No.	Type No.	Thread	Size	Control range bar	Pressure gauge display bar
149212	VRP 22	G 1/4	1	0.1 - 3	0 - 3
149214	VRP 23	G 1/4	1	0.2 - 6	0 - 6
149215	VRP 24	G 1/4	1	0.5 - 10	0 - 10
149216	VRP 32	G 3/8	1	0.1 - 3	0 - 3
149217	VRP 33	G 3/8	1	0.2 - 6	0 - 6
149218	VRP 34	G 3/8	1	0.5 - 10	0 - 10
149219	VRP 42	G 1/2	2	0.1 - 3	0 - 3
149220	VRP 43	G 1/2	2	0.2 - 6	0 - 6
149221	VRP 44	G 1/2	2	0.5 - 10	0 - 10
149222	VRP 52	G 3/4	2	0.1 - 3	0 - 3
149223	VRP 53	G 3/4	2	0.2 - 6	0 - 6
149224	VRP 54	G 3/4	2	0.5 - 10	0 - 10
149225	VRP 62	G 1	2	0.1 - 3	0 - 3
149226	VRP 63	G 1	2	0.2 - 6	0 - 6
149227	VRP 64	G 1	2	0.5 - 10	0 - 10

Spare parts

Article No.	Type No.	Description
149570	VZ 783	Set of wearing parts, compatible with G 1/4 - G 3/8
149571	VZ 784	Set of wearing parts, compatible with G 1/2 - G 1